

Daytime Fan-Aspirated Radiation Shield Kit Installation Manual

for Vantage Pro & Vantage Pro Plus Stations

Introduction

These instructions describe how to upgrade a non-aspirated Vantage Pro radiation shield to a Daytime Fan-Aspirated Radiation Shield. The upgrade kit can be installed on any Vantage Pro[®] or Vantage Pro Plus Integrated Sensor Suite (ISS) equipped with a round-plate non-aspirated, radiation shield. The round-plate non-aspirated radiation shield replaced the previous square-plate shield at the beginning of 2003.

Note: The Daytime Fan-Aspirated Radiation Shield Kit can only be installed on round-plate non-aspirated radiation shields.

Components

The upgrade kit includes the items shown in “Figure 1” and “Figure 2”.

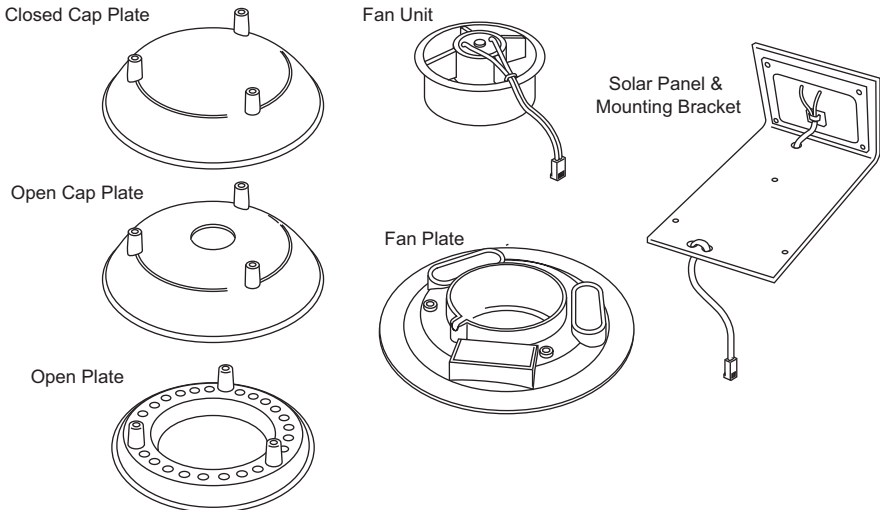


Figure 1. Daytime Fan Kit Components

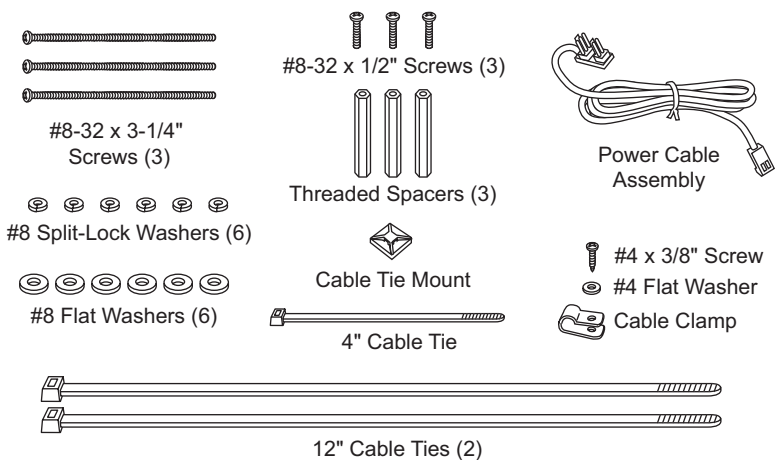


Figure 2. Daytime Fan Kit Hardware

Tools Needed

You may need some or all of the following tools and other items to complete the upgrade:

- A medium Phillips-Head screwdriver
- A medium slot-tip screwdriver
- *Cabled ISS Only*: Wire cutters
- Other tools as required to remove and re-mount the ISS
- *Wireless ISS Only*: CR-123A 3-volt lithium battery (optional)

Note: If you are upgrading an ISS that has been in service for a year or more, you should consider changing the ISS battery during the upgrade.

Installation Overview

Installing the Daytime Fan Kit is not very complicated and should take only 30 to 60 minutes to complete.

These are the steps to install the Daytime Fan components:

1. Put the console into Setup Mode.
2. Take the ISS down from its installed position.
3. Disassemble the standard radiation shield.
4. Remove the solar panel if you have a Wireless ISS.
5. Assemble the lower section of the fan-aspirated shield.
6. Install the fan unit.
7. Assemble the upper section of the fan-aspirated shield.
8. Re-Install the ISS.
9. Take the console out of Setup Mode.